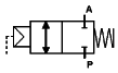


2/2 WAY PISTON VALVE G 1/2" ÷ 2" BIDIRECTIONAL; BRONZE



normally closed
flow over / under seat

TYPE: REGULAR BD

TECHNICAL SPECIFICATIONS

Media: water, oil, air, aggressive media and steam ⁽¹⁾
Media temperature: -10°C ... +180°C
Ambient temperature: -10°C ... +60°C
Pilot media: air, inert gases, water
Body material: bronze (CB491K EN 1982 : 2000)
Bonnet material: brass (CW617N EN 12165 : 1999)
Actuator body material: Polyamide PA6 (reinforced fiberglass 30%)
Seal material: PTFE type TFM 1600
Position indicator as standard

BENEFITS

Waterhammer-free design (with flow direction 2 \bar{i} 1)
Actuator housing rotation 360°

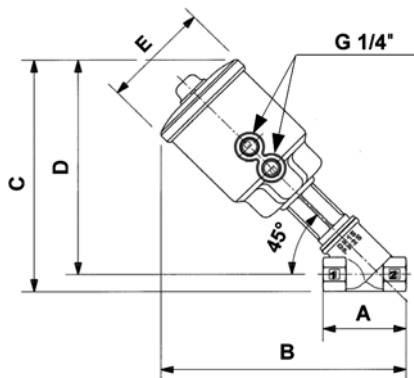
OPTIONS

Manual override (ex. code BCG205STWM0) see page 24
Stroke regulator (ex. code BCG210STJR0) see page 24
Travel switch (ex. code BCG208LTZi0) see page 24
Design for vacuum applications up to 10 ⁻² mbar (ex. code BCG205STW0V)
NPT connection (ex. code BCN205STW00)



SELECTION TABLE	VALVES	connection	DN orifice	Flow rate Kvs	Working pressure ⁽¹⁾		Flow direction	Pilot pressure ⁽²⁾		Actuator \varnothing
					min (bar)	max (bar)		min (bar)	max (bar)	
	Code	(ISO 228 G)	(mm)	(l/min)	min (bar)	max (bar)		min (bar)	max (bar)	(mm)
	BCG205STW00	1/2"	15	87	0	16	1 \bar{i} 2 2 \bar{i} 1	5.5 / 3.8	10	63
	BCG206STX00	3/4"	20	164	0	16	1 \bar{i} 2 2 \bar{i} 1	6 / 3.8	10	63
	BCG207STY00	1"	25	260	0	16 / 11	1 \bar{i} 2 2 \bar{i} 1	6.5 / 3.8	10	63
	BCG208STZ00	1 1/4"	32	410	0	16 / 6	1 \bar{i} 2 2 \bar{i} 1	6.8 / 3.8	10	63
	BCG209STK00	1 1/2"	40	700	0	12 / 4	1 \bar{i} 2 2 \bar{i} 1	9 / 3.8	10	63
	BCG210STJ00	2"	50	950	0	8 / 2.5	1 \bar{i} 2 2 \bar{i} 1	9 / 3.8	10	63
	BCG207LTY00	1"	25	260	0	16 / 14	1 \bar{i} 2 2 \bar{i} 1	4 / 3.3	8	90
	BCG208LTZ00	1 1/4"	32	410	0	16 / 12	1 \bar{i} 2 2 \bar{i} 1	5 / 3.3	8	90
	BCG209LTK00	1 1/2"	40	700	0	16 / 8	1 \bar{i} 2 2 \bar{i} 1	6 / 3.3	8	90
	BCG210LTJ00	2"	50	950	0	14 / 6	1 \bar{i} 2 2 \bar{i} 1	8 / 3.3	8	90

(1) Steam: Max. working pressure 10 bar (9 barg); - (2) Minimum pilot pressure at max. working pressure; for lower working pressure see selection charts;



DIMENSIONS & WEIGHTS	Connection	Actuator \varnothing	A	B	C	D	E	weight
	(ISO 228 G)	(mm)	(mm)	(mm)	(mm)	(mm)	(mm)	(kg)
	1/2"	63	65	192	184	171	85	1.2
	3/4"	63	75	198	192	176	85	1.3
	1"	63	90	212	205	185	85	1.5
	1 1/4"	63	110	225	217	193	85	1.9
	1 1/2"	63	120	230	225	198	85	2.1
	2"	63	150	248	241	207	85	2.9
	1"	90	90	223	216	196	112	2.0
	1 1/4"	90	110	234	227	202	112	2.4
	1 1/2"	90	120	239	235	207	112	2.6
	2"	90	150	257	250	216	112	3.3