



400F/N2 two channel ultra-compact pump

Technical information and features

- Tube elements for easy loading
- Fittings to connect transfer tubes
- Tube elements completely enclosed in pump chamber
- Wide range of gear motors available
- Extremely compact design
- Flow rates up to 82 ml/min
- Designed for backpressures up to 2 bars
- Accepts 1,0 mm wall tube in four standard sizes

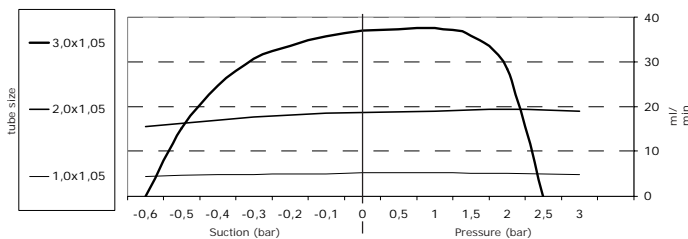


400F/N2 two channel ultra-compact pump

Flow rate ranges (ml/min)

Speed rpm	Tube bore and flow rates (ml/min)			
	0,5 mm	1,0 mm	2,0 mm	3,0 mm
4	0,05	0,20	0,72	1,3
5	0,07	0,25	0,90	1,7
10	0,13	0,50	1,8	3,3
12	0,16	0,60	2,2	4,0
15	0,20	0,75	2,7	5,0
20	0,26	1,0	3,6	6,6
25	0,33	1,3	4,5	8,3
40	0,52	2,0	7,2	13
50	0,65	2,5	9,0	16
75	1,0	3,8	13	25
100	1,3	5,0	18	33
130	1,7	6,5	23	43
200	2,6	10	36	66
250	3,3	12	45	82

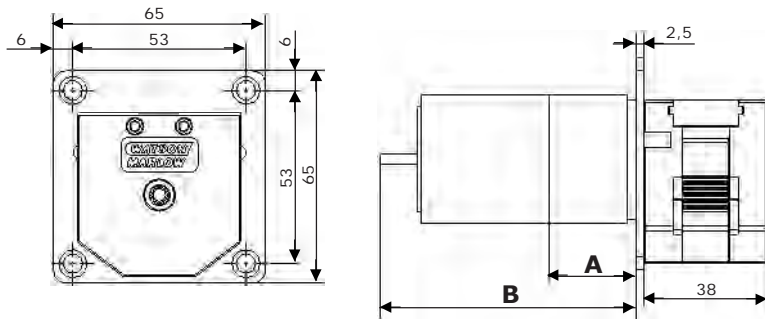
Suction/Pressure chart



400F/N

If you don't find exactly what you are looking for in this data sheet a customised product could be the solution.

These pumps could be supplied without a drive or with alternative drives and gear ratios or up to four units driven by one single drive, for alternative tube sizes, in alternative colours or materials, fitted on a customised mounting panel and more.



Motor type:	Standard DC 5W	Economy DC 5W	Brushless DC 5W
Dimension A	L=26,5mm X Ø39,6mm	L=26,5mm X Ø39,6mm	L=26,5mm X Ø39,6mm
Dimension B	L=79,0mm* X Ø39,6mm	L=85,3mm* X Ø39,6mm	L=75,0mm* X Ø39,6mm

* = maximum length behind mounting plate

Synchronous AC 2W
Length over all (A + B) = 32,9mm*
Ø over all (A + B) = 78,6mm

Product codes			
Motor type	Voltage	Speed rpm	Product code
Standard DC 5W	12-15VDC	200rpm	040.DS1N.N2C
Standard DC 5W	24-30VDC	200rpm	040.ES1N.N2C
Standard DC 5W	12-15VDC	100rpm	040.DP1N.N2C
Standard DC 5W	24-30VDC	100rpm	040.EP1N.N2C
Standard DC 5W	12-15VDC	40rpm	040.DH1N.N2C
Standard DC 5W	24-30VDC	40rpm	040.EH1N.N2C
Standard DC 5W	12-15VDC	12rpm	040.D81N.N2C
Standard DC 5W	24-30VDC	12rpm	040.E81N.N2C
Economy DC 5W	12VDC	200rpm	040.AS1N.N2C
Economy DC 5W	24VDC	200rpm	040.BS1N.N2C
Economy DC 5W	12VDC	75rpm	040.AN1N.N2C
Economy DC 5W	24VDC	75rpm	040.BN1N.N2C
Economy DC 5W	12VDC	25rpm	040.AC1N.N2C
Economy DC 5W	24VDC	25rpm	040.BC1N.N2C
Brushless DC 5W	24VDC	250rpm	040.FT1N.N2C
Brushless DC 5W	24VDC	130rpm	040.FQ1N.N2C
Brushless DC 5W	24VDC	50rpm	040.FK1N.N2C
Brushless DC 5W	24VDC	15rpm	040.F91N.N2C
Synchronous AC 2W	110VAC (60Hz)	25rpm	040.HC1N.N2C
Synchronous AC 2W	220VAC (50Hz)	20rpm	040.JA1N.N2C
Synchronous AC 2W	110VAC (60Hz)	12rpm	040.H81N.N2C
Synchronous AC 2W	220VAC (50Hz)	10rpm	040.J71N.N2C
Synchronous AC 2W	110VAC (60Hz)	5rpm	040.H41N.N2C
Synchronous AC 2W	220VAC (50Hz)	4rpm	040.J31N.N2C

400F/N2

Materials of construction

Pump house	Acetal (Grey)
Rotor	Acetal (Black)
Rollers	Acetal (Black)
Track	Acetal (Grey)
Tube holder	Acetal (Grey)
Shafts	Acid resistant stainless steel
Mounting panel	Anodised aluminium
Screws	Acid resistant stainless steel

Motor descriptions

The standard DC 5W motor is our most compact instrument quality motor. This motor features silent operation, long brush life and excellent speed regulation with our controllers (optional).
The economy DC 5W motor offers small size and high value for money. It is primarily intended for intermittent duty applications.
The brushless DC 5W motor is a 1 phase 2 core reluctance motor with a 4 pole ferrite magnet. Hall sensors and commutation electronics are integrated. No carbon brushes yields an extremely long life with no maintenance required. Speed is regulated by varying the 24 VDC supply.
The synchronous AC 2W motor runs on mains voltage. The motor speed is based on supply frequency giving a very accurate and reproducible motor speed.

400F/N

If you don't find exactly what you are looking for in this data sheet a customised product could be the solution.

These pumps could be supplied without a drive or with alternative drives and gear ratios or up to four units mounted on one single drive, for alternative tube sizes, in alternative colours or materials, fitted on a customised mounting panel and more.



W-M Alitea AB

Stockholm
SWEDEN
Tel: +46 8 556 556 00
Fax: +46 8 556 556 25
www.alitea.se
Email: info@alitea.se

You can download the latest edition of this data sheet at www.alitea.se.

W-M Alitea reserves the right to alter specifications without notice.