

# 400F/M1 one channel ultra-compact pump



## Technical information and features

- Tube elements for easy loading
- Luer fittings to connect transfer tubes
- Tube elements completely enclosed in pump chamber
- Wide range of gear motors available
- Extremely compact design
- Flow rates up to 200 ml/min
- Designed for backpressures up to 2 bars
- Accepts 1,6 mm wall tube in six standard sizes

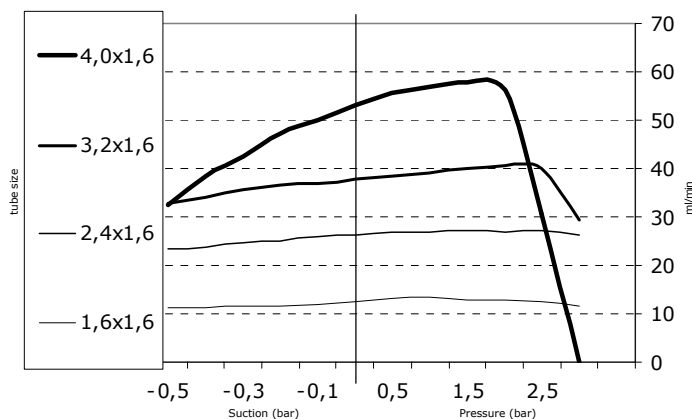


400F/M1 one channel ultra-compact pump

## Flow rate ranges (ml/min)

Speed rpm	Tube bore and flow rates (ml/min)					
	0,5 mm	0,8 mm	1,6 mm	2,4 mm	3,2 mm	4,0 mm
4	0,04	0,12	0,44	0,96	1,6	2,4
5	0,05	0,15	0,55	1,20	2,1	3,0
10	0,10	0,30	1,10	2,4	4,1	5,9
12	0,12	0,36	1,32	2,9	4,9	7,1
15	0,15	0,45	1,6	3,6	6,1	8,8
20	0,20	0,60	2,2	4,8	8,2	11
25	0,25	0,75	2,7	6,0	10	14
40	0,40	1,20	4,4	9,6	16	23
50	0,50	1,5	5,5	12	20	29
75	0,75	2,2	8,2	18	31	44
100	1,00	3,0	11	24	41	59
130	1,30	3,9	14	31	53	77
200	2,0	6,0	22	48	82	118
250	2,5	7,5	27	60	103	148
350	3,5	10	38	84	144	207

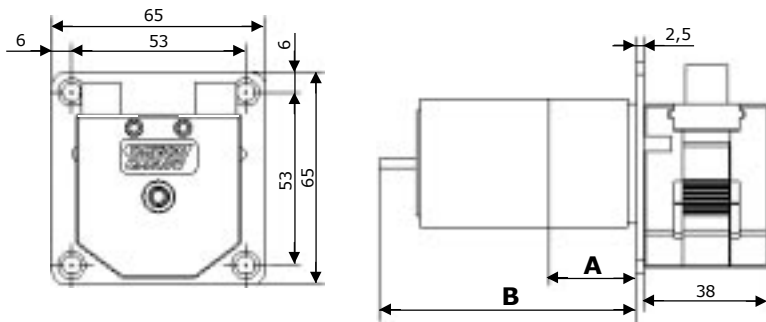
## Suction/Pressure chart



### 400F/M

*If you don't find exactly what you are looking for in this data sheet a customised product could be the solution.*

These pumps could be supplied without a drive or with alternative drives and gear ratios or up to four units mounted on one single drive, for alternative tube sizes, in alternative colours or materials, fitted on a customised mounting panel and more.



Motor type:	Standard DC 5W	Economy DC 5W	Brushless DC 5W
Dimension A	L=26,5mm X Ø39,6mm	L=26,5mm X Ø39,6mm	L=26,5mm X Ø39,6mm
Dimension B	L=79,0mm* X Ø39,6mm	L=85,3mm* X Ø39,6mm	L=75,0mm* X Ø39,6mm

\* = maximum length behind mounting plate

Synchronous AC 2W
Length over all (A+B)=32,9mm*
Ø over all (A+B)=78,6mm

Product codes			
Motor type	Voltage	Speed rpm	Product code
Standard DC 5W	12-15VDC	200rpm	040.DS1M.E1C
Standard DC 5W	24-30VDC	200rpm	040.ES1M.E1C
Standard DC 5W	12-15VDC	100rpm	040.DP1M.E1C
Standard DC 5W	24-30VDC	100rpm	040.BS1M.E1C
Standard DC 5W	12-15VDC	40rpm	040.DH1M.E1C
Standard DC 5W	24-30VDC	40rpm	040.EH1M.E1C
Standard DC 5W	12-15VDC	12rpm	040.D81M.E1C
Standard DC 5W	24-30VDC	12rpm	040.E81M.E1C
Economy DC 5W	12VDC	350rpm	040.AU1M.E1C
Economy DC 5W	24VDC	350rpm	040.BU1M.E1C
Economy DC 5W	12VDC	200rpm	040.AS1M.E1C
Economy DC 5W	24VDC	200rpm	040.BS1M.E1C
Economy DC 5W	12VDC	75rpm	040.AN1M.E1C
Economy DC 5W	24VDC	75rpm	040.BN1M.E1C
Economy DC 5W	12VDC	25rpm	040.AC1M.E1C
Economy DC 5W	24VDC	25rpm	040.BC1M.E1C
Brushless DC 5W	24VDC	250rpm	040.FT1M.E1C
Brushless DC 5W	24VDC	130rpm	040.FQ1M.E1C
Brushless DC 5W	24VDC	50rpm	040.FK1M.E1C
Brushless DC 5W	24VDC	15rpm	040.F91M.E1C
Synchronous AC 2W	110VAC (60Hz)	25rpm	040.HC1M.E1C
Synchronous AC 2W	220VAC (50Hz)	20rpm	040.JA1M.E1C
Synchronous AC 2W	110VAC (60Hz)	12rpm	040.H81M.E1C
Synchronous AC 2W	220VAC (50Hz)	10rpm	040.J71M.E1C
Synchronous AC 2W	110VAC (60Hz)	5rpm	040.H41M.E1C
Synchronous AC 2W	220VAC (50Hz)	4rpm	040.J31M.E1C

## 400F/M1

### Materials of construction

Pump house	Acetal (Grey)
Rotor	Acetal (Black)
Rollers	Acetal (Black)
Track	Acetal (Grey)
Tube holder	Acetal (Grey)
Shafts	Acid resistant stainless steel
Mounting panel	Anodised aluminium
Screws	Acid resistant stainless steel

### Motor descriptions

The <b>standard DC 5W</b> motor is our most compact instrument quality motor. This motor features silent operation, long brush life and excellent speed regulation with our controllers (optional).
The <b>economy DC 5W</b> motor offers small size and high value for money. It is primarily intended for intermittent duty applications.
The <b>brushless DC 5W</b> motor is a 1 phase 2 core reluctance motor with a 4 pole ferrite magnet. Hall sensors and commutation electronics are integrated. No carbon brushes yields an extremely long life with no maintenance required. Speed is regulated by varying the 24 VDC supply.
The <b>synchronous AC 2W</b> motor runs on mains voltage. The motor speed is based on supply frequency giving a very accurate and reproducible motor speed.

## 400F/M

If you don't find exactly what you are looking for in this data sheet a customised product could be the solution.

These pumps could be supplied without a drive or with alternative drives and gear ratios or up to four units mounted on one single drive, for alternative tube sizes, in alternative colours or materials, fitted on a customised mounting panel and more.



W-M Alitea AB  
 Solkraftsvägen 35  
 SE-135 70 Stockholm  
 SWEDEN  
 Tel: +46 8 556 556 00  
 Fax: +46 8 556 556 25  
 www.alitea.se  
 Email: info@alitea.se

You can download the latest edition of this data sheet at [www.alitea.se](http://www.alitea.se).

W-M Alitea reserves the right to alter specifications without notice.