

# Ring Pump®

## K II Series



### Features

- Simple design and tough pump.
- Since we have wide range of flow level, wide range of application can be expected.

### Examples of application

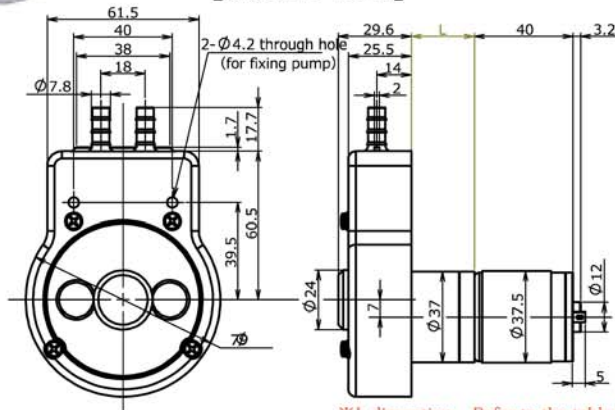
Automatic washing machine  
Floor washer, Medical device and many applications for detergent supply etc.

### Main specifications

Flow rate (mL/min) ※	50 100 150 200 250
Tubing	Silicone/Norprene/TM-15
Motor/Power source	DC24V
Material of main parts	Base : Steel Case: A B S
Weight (for reference)	Approx. 115g

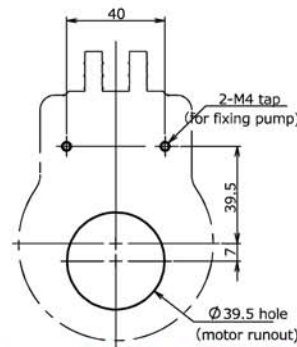
※ Flow rate is adjusted by selection of motor and inner diameter of tubing.

### 【Outline view】



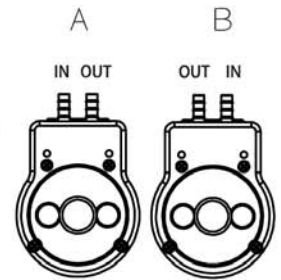
※L dimension = Refer to the table below.

### 【Mounting plate view】



Be sure that the motor shaft position is horizontal.

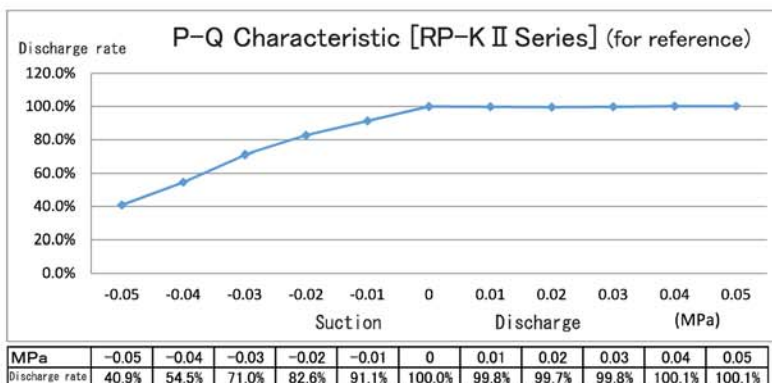
### 【Flow direction】



## Model Lineup

Model Lineup	Voltage (DC/V)	Flow rate (mL)		Tubing		Remarks			
		/min	/rotation	Type	ID/OD (mm)	Motor	※ L Dimention	Motor Rotation	Flow Direction
RP-K II 05S-50Z-DC24V	24	50	2	Silicone (S)	4.8 X 8.0	A	28.1	CW	B
RP-K II 05N-50Z-DC24V	24	50	2	Norprene (N)	3/16 , 5/16	A	28.1		
RP-K II 05W-50Z-DC24V	24	50	2	TM-15 (W)	4.8 X 7.9	A	28.1		
RP-K II 06S-100Z-DC24V	24	100	2.7	Silicone (S)	6.5 X 9.9	B	28.1		
RP-K II 06N-100Z-DC24V	24	100	2.7	Norprene (N)	1/4 , 3/8	B	28.1		
RP-K II 06W-100Z-DC24V	24	100	2.7	TM-15 (W)	1/4 , 3/8	B	28.1		
RP-K II 06N-150Z-DC24V	24	150	2.7	Norprene (N)	1/4 , 3/8	A	25.6	CCW	A
RP-K II 06W-150Z-DC24V	24	150	2.7	TM-15 (W)	1/4 , 3/8	A	25.6		
RP-K II 06N-200Z-DC24V	24	200	2.7	Norprene (N)	1/4 , 3/8	A	25.6		
RP-K II 06W-200Z-DC24V	24	200	2.7	TM-15 (W)	1/4 , 3/8	A	25.6		
RP-K II 06N-250Z-DC24V	24	250	2.7	Norprene (N)	1/4 , 3/8	A	25.6		
RP-K II 06W-250Z-DC24V	24	250	2.7	TM-15 (W)	1/4 , 3/8	A	25.6		

Norprene: product of Saint-Gobain SA  
TM-15 : product of Mitsubishi Co. Ltd.



※ Variable by material or ID of tubing.