

Ring Pump®

W II Series



Features

- Toughest and long life pump among lineup of our ringpump.

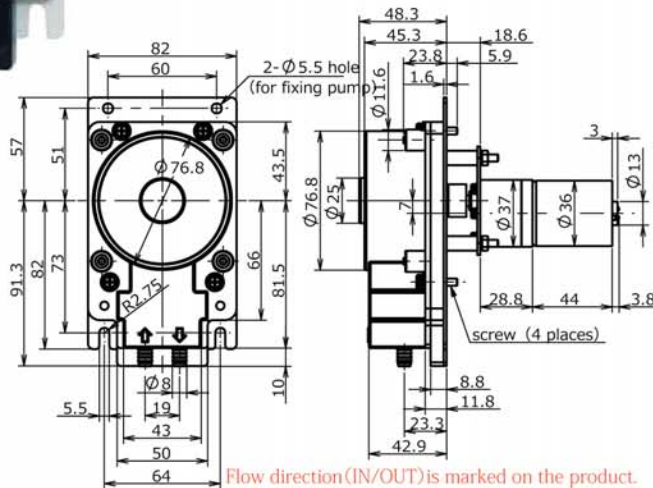
Examples of application

Big sized printers and many other applications where toughness and long life is required.

Main specifications

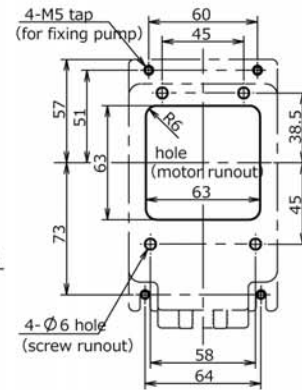
Flow rate (mL/min) ※	350 500
Tubing	PharMed
Motor/Power source	DC24V
Material of main parts	Base: PBT Cover: ABS
Weight (for reference)	Approx. 850g

【Outline view】



Flow direction (IN/OUT) is marked on the product.

【Mounting plate view】

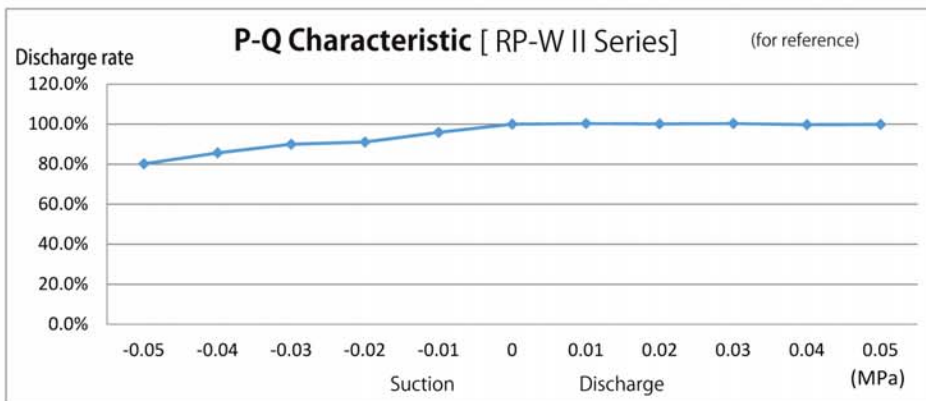


Be sure that the motor shaft position is horizontal.

Model Lineup

Model Lineup	Voltage (DC/V)	Flow rate (mL)		Tubing		Remarks
		/min	/rotation	Type	ID/OD (mm)	Motor Rotation
RP-W II 04 F -350Z-DC24V	24	350	2.6	PharMed(F)	4.0×8.0	CW
RP-W II 04F-500Z-DC24V	24	500	2.7	PharMed(F)	4.0×8.0	CW

PharMed : product of Saint-Gobain SA



※ Variable by material or ID of tubing.

MPa	-0.05	-0.04	-0.03	-0.02	-0.01	0	0.01	0.02	0.03	0.04	0.05
Discharge rate	80.2%	85.6%	89.9%	91.0%	95.9%	100.0%	100.3%	100.1%	100.3%	99.7%	99.9%