

PROTOTYPE

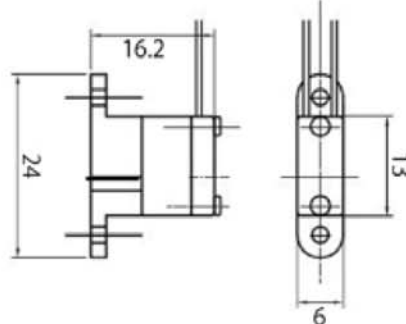
*Super Micro Ring Pump RP-SX*

Characterisitics

- ✓ World smallest size level peristaltic pump.
- ✓ By using stepping motor with reduction gear, wider range of flow level has become available.
- ✓ You can start to use RP-SX quite easily by using the specially arranged controller which is sold separately.



RP-SX pump



Dimensions



RE-F100  
RE-C100  
Controller & Display

● Specifications

		Description	N.B.
Composition	Tube	Silicone tube	ID $\phi$ 0.3、OD $\phi$ 0.7 (mm)
	Motor	Stepping motor Rated voltage: DC3V	With reduction gear.
	Main parts	Case, Rotor, Motor, Tube	-
Specification	Dimensions	L6xW24x16.2 (mm) (wt. 3g)	(excluding tube length)
	Discharge volume	1 - 10 ( $\mu$ L/min) $\pm$ 15% (Motor rotation 20pps - 800pps)	Using water at 25°C.
	Discharge press.	>0.03kPa.	-