

## Q & QX Series



### Features

- Very small and light weight peristaltic pump became available by Ring Pump technology and applications are increasing. It was used by NASA in the tests in the space.

### Examples of application

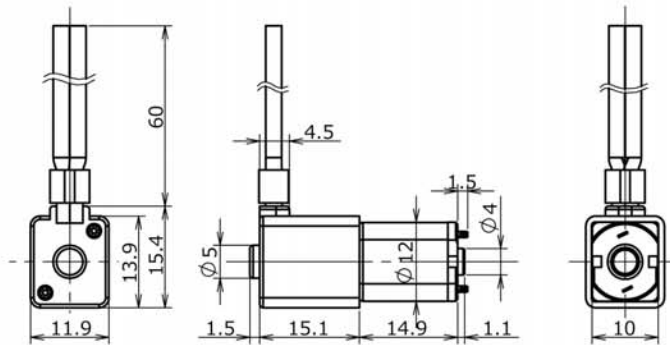
Analytical instruments, medical devices, fuel cell and many other usage where micro-fluidic control is needed.

### Main specifications

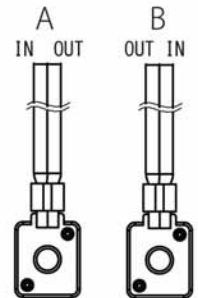
Flow rate (mL/min) ※	Q: 0.45 0.20 QX: 1.1 0.5
Tubing	Silicone/Norprene/SWFT
Motor/Power source	DC3 - 5V
Material of main parts	Case : PP
Weight (for reference)	Approx. 11g

※ Flow rate can be adjustable by power voltage.

### 【Outline view】



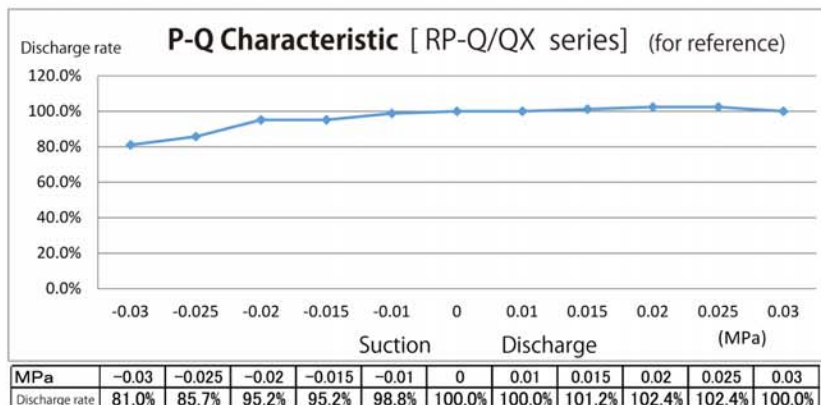
### 【Flow direction】



### Model Lineup

Model Lineup	Voltage (DC/V)	Flow rate (mL)		Tubing		Remarks		
		/min	/rotation	Type	ID/OD (mm)	Variable Range	Motor Rotation	Flow Direction
RP-Q1.5S-P45Z-DC3V	3	0.45	0.01	Silicone (S)	1.5 X 2.5	3V - 5V	CCW	A
RP-Q1.2N-P20Z-DC3V	3	0.20	0.0045	Norprene (N)	1.2 X 2.5			
RP-Q1.2C-P20Z-DC3V	3	0.20	0.0045	SWFT (C)	1.2 X 2.5			
RP-QX1.5S-1Z-DC3V	3	1.10	0.01	Silicone (S)	1.5 X 2.5	3V (Fixed)	CW	B
RP-QX1.2N-P50Z-DC3V	3	0.50	0.0045	Norprene (N)	1.2 X 2.5			
RP-QX1.2C-P50Z-DC3V	3	0.50	0.0045	SWFT (C)	1.2 X 2.5			

Norprene /SWFT: product of Saint-Gobain SA



※ Variable by material or ID of tubing.