

RP-G II Series



Features

- Compact box shape makes it possible to pile up plural G II pumps.
- We have 2G II series which can flow two different liquids by a single pump.

Examples of application

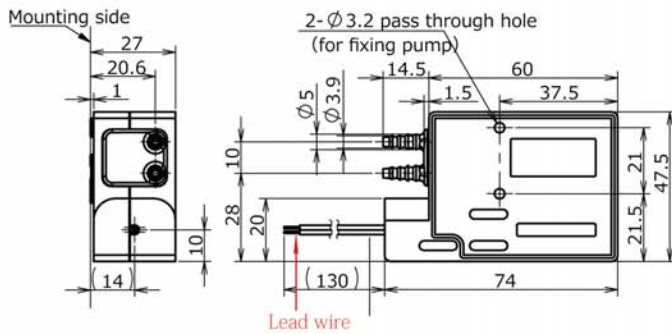
Automatic washing machine
Electrolytic water conditioner
Applications for detergent supply etc.

Main specifications

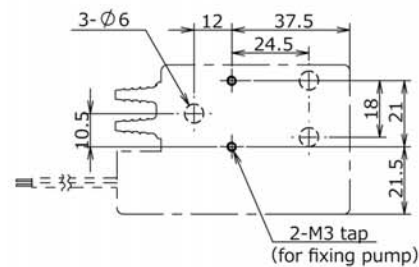
Flow rate (mL/min) ※	12 20 25 40
Tubing	Silicone/Pharmed/Norprene/TM-15
Motor/Power source	DC12V, 24V
Material of main parts	Case: A B S
Weight (for reference)	Approx. 90g

※ Flow rate can be adjustable by power voltage.

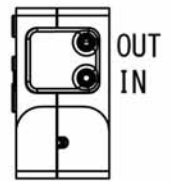
【Outline view】



【Mounting plate view】



【Flow direction】



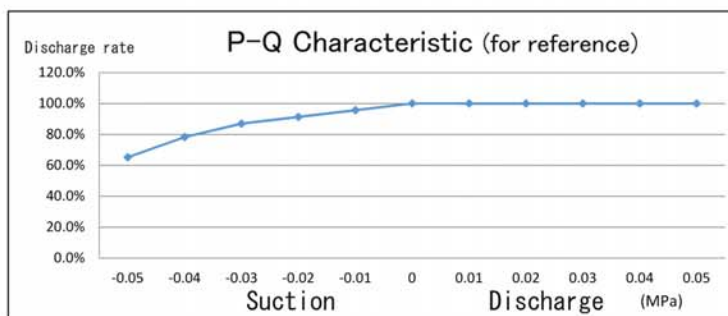
Lead wire should not face downward.

Model Lineup

Model Lineup	Voltage (DC/V)	Flow rate (mL)		Tubing		Remarks
		/min	/rotation	Type	ID / OD (mm)	
RP-G II 02 S -10Z-DC12V	12	12	0.17	Silicone (S)	2 X 4	CCW
RP-G II 02F-10Z-DC12V	12	12	0.17	PharMed (F)	2 X 4	
RP-G II 02W-10Z-DC12V	12	12	0.17	TM-15 (W)	2 X 4.2	
RP-G II 02 S -25Z-DC24V	24	25	0.17	Silicone (S)	2 X 4	CCW
RP-G II 02F-25Z-DC24V	24	25	0.17	PharMed (F)	2 X 4	
RP-G II 02W-25Z-DC24V	24	25	0.17	TM-15 (W)	2 X 4.2	
RP-G II 2.5S-20Z-DC12V	12	20	0.28	Silicone (S)	2.5 X 4.5	CCW
RP-G II 2.5S-40Z-DC24V	24	40	0.28	Silicone (S)	2.5 X 4.5	
RP-G II 2.8N-20Z-DC12V	12	20	0.29	Norprene (N)	2.8 X 4.8	CCW
RP-G II 2.8N-40Z-DC24V	24	40	0.29	Norprene (N)	2.8 X 4.8	

PharMed/Norprene: product of Saint-Gobain SA

TM-15: product of Mitsubishi Co. Ltd.



※ Variable by material or ID of tubing.