

Ring Pump®

K II Series



Features

- Simple design and tough pump.
- Since we have wide range of flow level, wide range of application can be expected.

Examples of application

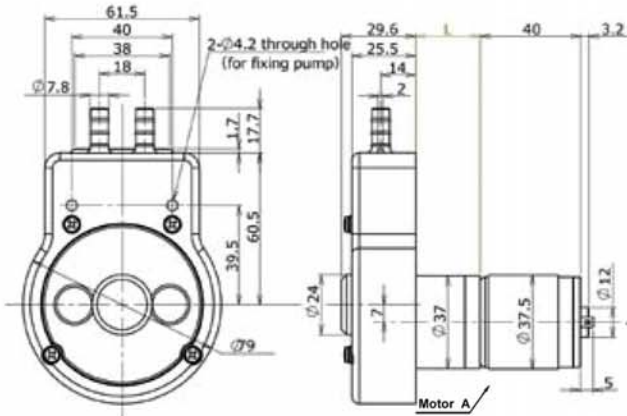
Automatic washing machine
Floor washer, Medical device and many applications for detergent supply etc.

Main specifications

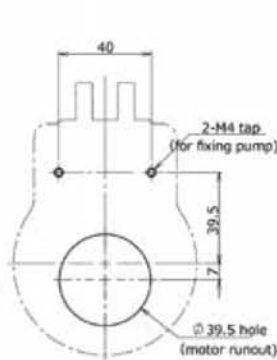
Flow rate (mL/min)※	50 100 150 200 250
Tubing	Silicone/Norprene/TM-15
Motor/Power source	DC24V
Material of main parts	Base : Steel Case:PP
Weight (for reference)	Approx. 400g

※ Flow rate is adjusted by selection of motor and inner diameter of tubing.

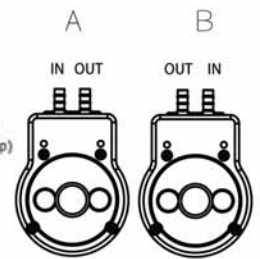
【Outline view】



【Mounting plate view】



【Flow direction】



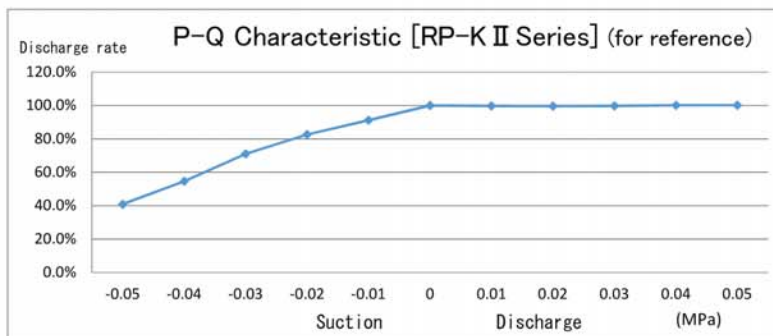
※L dimension = Refer to the table below.

Be sure that the motor shaft position is horizontal.

Model Lineup

Model Lineup	Voltage (DC/V)	Flow rate (mL)		Tubing		Remarks			
		/min	/rotation	Type	ID/OD (mm)	Motor	※ L Dimension	Motor Rotation	Flow Direction
RP-K II 05S-50Z-DC24V	24	50	2	Silicone (S)	4.8 x 8.0	A	28.1	CW	B
RP-K II 05N-50Z-DC24V	24	50	2	Norprene (N)	4.76 x 7.94	A	28.1		
RP-K II 05W-50Z-DC24V	24	50	2	TM-15 (W)	4.8 x 7.9	A	28.1		
RP-K II 06S-100Z-DC24V	24	100	2.7	Silicone (S)	6.5 x 9.9	B	28.1		
RP-K II 06N-100Z-DC24V	24	100	2.7	Norprene (N)	6.35 x 9.52	B	28.1		
RP-K II 06W-100Z-DC24V	24	100	2.7	TM-15 (W)	6.35 x 9.52	B	28.1		
RP-K II 06N-150Z-DC24V	24	150	2.7	Norprene (N)	6.35 x 9.52	A	25.6	CCW	A
RP-K II 06W-150Z-DC24V	24	150	2.7	TM-15 (W)	6.35 x 9052	A	25.6		
RP-K II 06N-200Z-DC24V	24	200	2.7	Norprene (N)	6.35 x 9.52	A	25.6		
RP-K II 06W-200Z-DC24V	24	200	2.7	TM-15 (W)	6.35 x 9.52	A	25.6		
RP-K II 06N-250Z-DC24V	24	250	2.7	Norprene (N)	6.35 x 9.52	A	25.6		
RP-K II 06W-250Z-DC24V	24	250	2.7	TM-15 (W)	6.35 x 9.52	A	25.6		

Norprene: product of Saint-Gobain SA
TM-15: product of Mitsuboshi Co. Ltd.



※ Variable by material or ID of tubing.