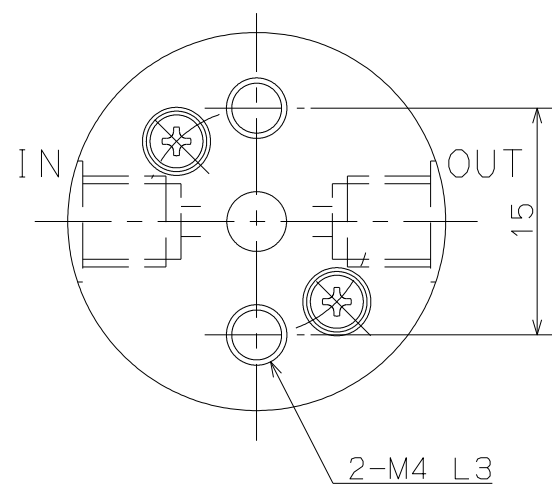
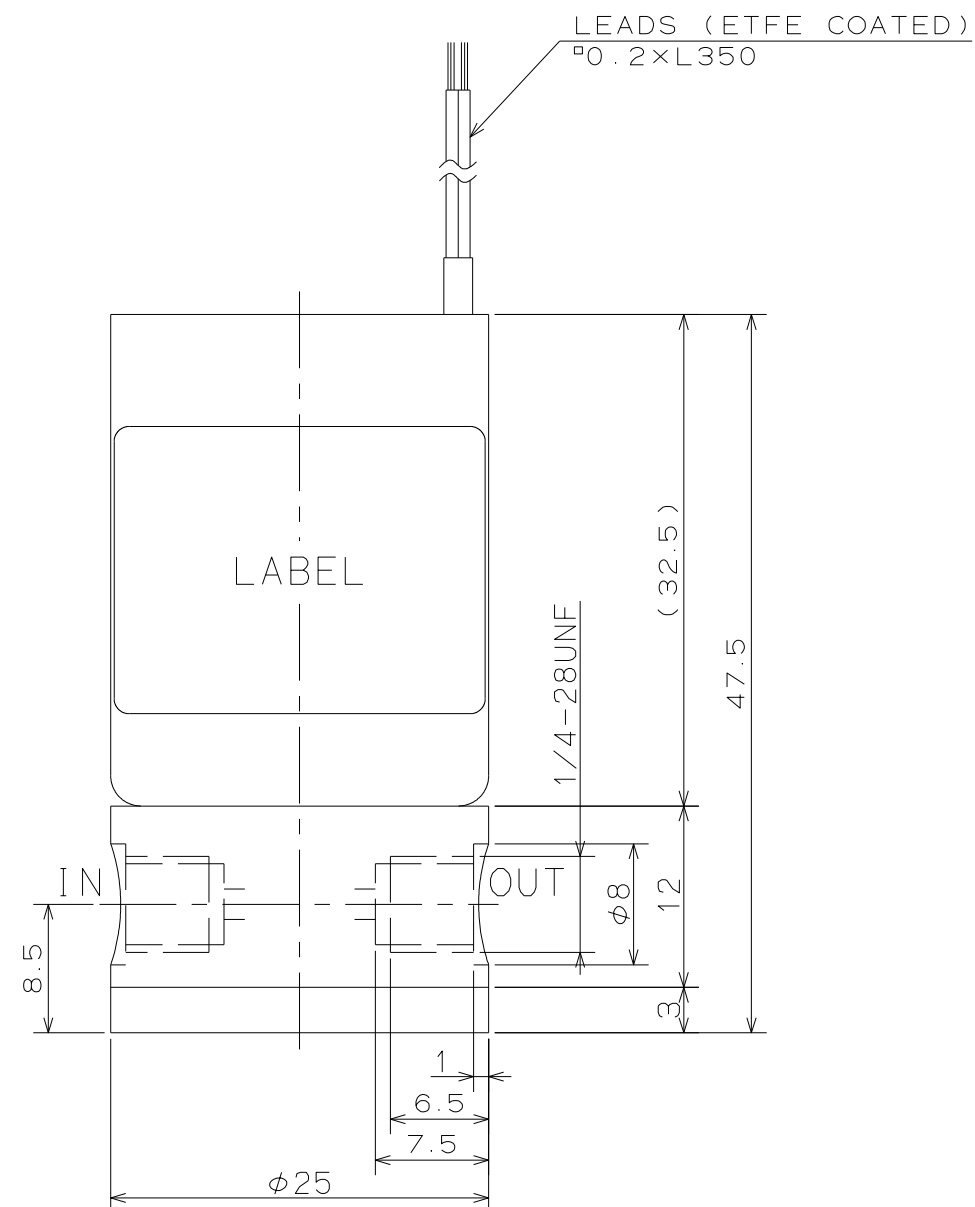


FOR REFERENCE
ONLY



SOLENOID VALVE

SPECIFICATIONS FOR MODEL MTV-2-1/4UGHT-20

ORIFICE DIAMETER	:	1.8mm
PORT CONNECTION	:	1/4-28UNF
OPERATING PRESSURE RANGE	:	IN 0 ~ 800kPa
		{0 ~ 8bar}
	:	OUT 0 ~ 100kPa
		{0 ~ 1bar}
FLUID MEDIA	:	FLUIDS CHEMICALLY COMPATIBLE WITH MATERIALS BELOW
MEDIA TEMPERATURE RANGE	:	5 ~ 180°C
AMBIENT TEMPERATURE RANGE	:	5 ~ 40°C
RATED VOLTAGE	:	24VDC
POWER CONSUMPTION	:	7.6W
DUTY CYCLE	:	INTERMITTENT ED=20% MAXIMUM ON TIME 5min.
INSULATION CLASS	:	CLASS H
DIELECTRIC STRENGTH	:	1500VAC FOR 60s

WETTED MATERIALS

PART NAME	MATERIAL	REQD.	NOTE
DIAPHRAGM	PFA	1	
SOFT SEAL	DAIEL PERFLUOR	1	
VALVE BODY	PFA	1	
SOLENOID VALVE MTV-2-1/4UGHT-20			