

## 2/2 WAY LATCHING DIRECT ACTING SOLENOID VALVE, G 1/8"

### TECHNICAL SPECIFICATIONS

Media<sup>①</sup>: water, air, neutral gases

Media temperature: -10°C ÷ +130°C

Ambient temperature: -10°C ÷ +50°C

Body material: brass (CW719R EN 12165) low lead content

Orifice material: stainless steel (1.4305 EN 10088/AISI 303)

Operator material: stainless steel tube, brass plunger

Seal material: foodgrade FKM

Coil power: DC 3w

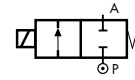
Protection class: IP 65 (with connector and gasket)

### NOTES

① Valve suitable for contact with food media as per the EEC Directives and Regulations. For more specific information, please contact M&M Sales Department.

Special operator with reduced stroke for low power coils.

### TYPE: LC297



Normally Closed

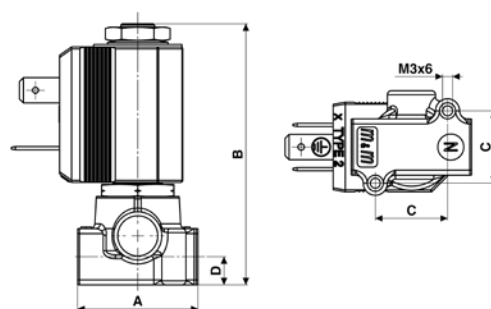


### SELECTION TABLE

VALVE	nominal Ø	flow rate Kvs	OPD		
			min.	max. AC	max. DC
code	[mm]	[l/min]	[barg]	[barg]	[barg]
<b>LC297DVA</b>	1.0	0.5	0	—	18
<b>LC297DVB</b>	1.2	0.7	0	—	14
<b>LC297DVC</b>	1.5	1.0	0	—	6
<b>LC297DVE</b>	2.0	1.7	0	—	4
<b>LC297DVG</b>	2.5	2.3	0	—	1.5

COILS low power only	
code	[Volts/Hz]
20Q0	6v DC
21Q0	12v DC
22Q0	24v DC

DIMENSIONS & WEIGHTS		LC297
<b>G connection</b>	[ISO 228]	1/8"
<b>A</b>	[mm]	30
<b>B</b>	[mm]	65
<b>C</b>	[mm]	18
<b>D</b>	[mm]	7
<b>weight</b>	[kg]	0.15



Flow direction overseat 1 → 2