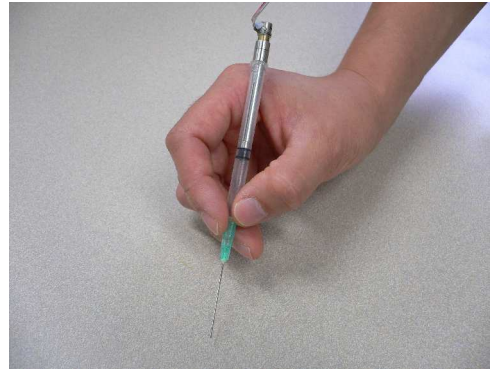
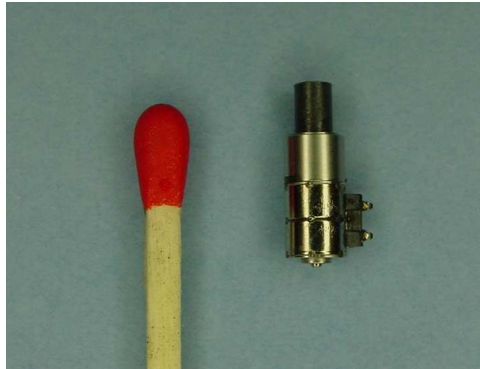


MICROACTUATOR



This is an ultra-small microactuator, combining a plastic micro-gear reduction device and a stepper motor. It is ideal for actuating small devices such as micro-pumps, micro-dispensers, and micro-manipulators.

Features

- **Ultra-small**

External dimensions of dia. 4mm x 12.1mm (MUDE01)

- **Plastic paradox planetary reduction gears installed**
(MUDE01, MUBA02)

The installed speed reducer employs a paradox planetary gear system, which uses the qualities of plastic gears. The number of parts is halved compared with other cyclic gears, realizing a small-size, lightweight and low cost solution.

- **Screw-type linear actuator also offered** (MUBA02)

Screw-type linear actuator also available by changing the output shaft to a screw-type.

- **Can be supplied with micro-syringes and other practical products**

Can be supplied with micro-pumps, micro-dispensers, micro-manipulators and other applications. Please contact us for further details.

This product was developed by Icomes Lab Co., Ltd.

TAKASAGO ELECTRIC, INC.

66 KAKITSUBATA, NARUMI-CHO, MIDORI-KU, NAGOYA, 458-8522 JAPAN

Tel +81-52-891-2301 Fax+81-52-891-7386

E-mail: info@takasago-elec.co.jp URL: <http://www.takasago-elec.co.jp/>

Microactuator

Model	MUDE01	MUBA02	MUCC01
External dimensions	4 × L12.1 ^{*1}	6 × L18.5 ^{*2}	8 × L24.7 ^{*2}
Weight	0.5 g	1.3 g	3.5 g
Steps per revolution	1,584	1,666.7	160
Motor	2 phase stepping motor		
Rated Voltage	3 V	5 V	5 V
DC current	0.07 A / phase	0.17 A / phase	0.13 A / phase
Reduction ratio	1/79.2	1/83.3	1/8
Max. response frequency	2,000 pps or higher		
Output Torque	0.5 mNm or higher	1.5 mNm	1.5 mNm
Operational temperature range	0 - 50 °C		

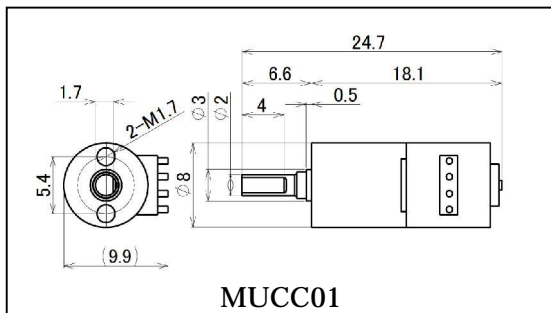
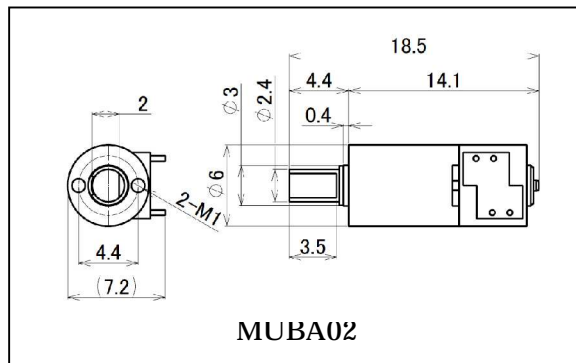
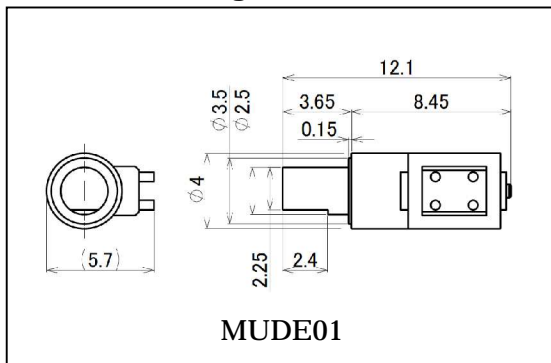
*1 : Excluding motor terminals and output shaft

*2 : Excluding motor terminals

Stepper Motor Driver kit

Model	SDAB01
Case dimensions	65(W) × 25(H) × 45(D) mm
Interface	PC control by USB connection
Motor power supply	By USB +5V supply
Motor	Bipolar type 2 phase stepping motor 1 ch.
Driver IC	Constant voltage BA6845FS
Accessories	USB cable Demonstration software

External Drawings



Note: Details including specifications may change without notification