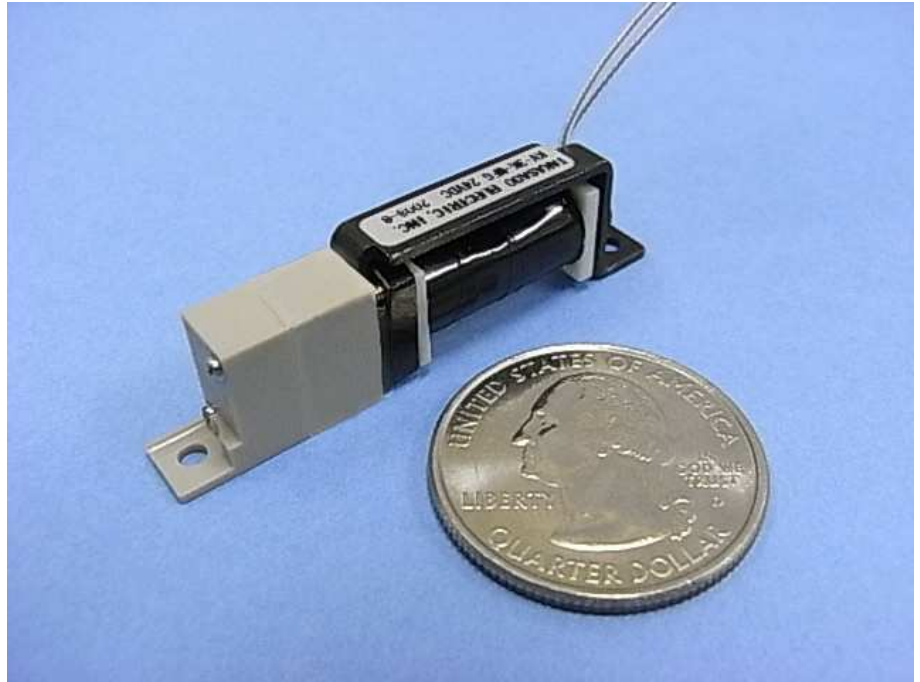


Miniature Inert Solenoid Valve KV-3K Series (Prototype)



Features

- This is a 3-way diaphragm valve of width 6 mm, which enables the installation of the valves at 6mm intervals and contributes to dramatic reduction of the channel length between ports and footprint of the valve. (KV-3K-MFG-1)
- By slightly increasing the coil width to 7.5mm, a higher-pressure rating can be achieved. (KV-3K-MFG)
- The internal volumes are: 9.5 μl (COM), 9.5 μl (N.C.), and 30.0 μl (N.O.). This valve greatly contributes toward minimization of sample/reagent volumes and improvement of accuracy.
- Molded^{*1} PEEK is used for the valve bodies and perfluoroelastomer for the diaphragm, etc. giving outstanding chemical resistance. (The materials can be changed according to your preference.)

*1 The bodies of the valve shown in the picture above are machined.

TAKASAGO ELECTRIC, INC.

66 KAKITSUBATA, NARUMI-CHO, MIDORI-KU, NAGOYA, 458-8522 JAPAN

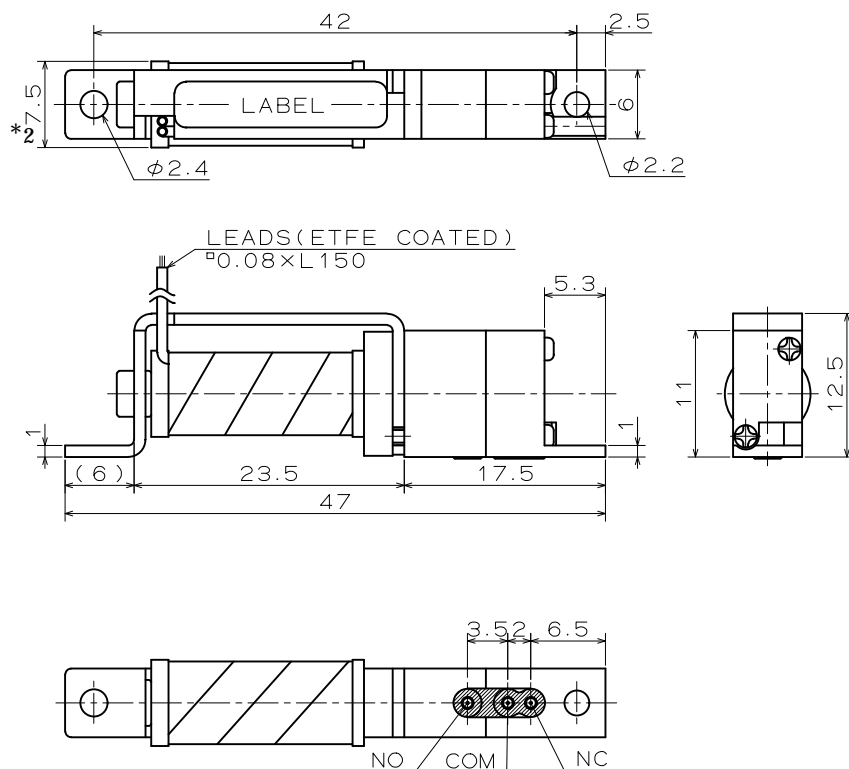
Tel +81-52-891-2301 Fax+81-52-891-7386

E-mail: info@takasago-elec.co.jp URL: <http://www.takasago-elec.co.jp/>

• Specifications

Model Number	KV-3K-MFG	KV-3K-MFG-1
Type	3-way	
Outer Dimensions	7.5 × 12.5 × 47.0 mm	6.0×12.5×47.0 mm
Orifice Diameter	0.8 mm	
Port Connection	Gasket Seal (For Manifold Mounting)	
Operating Pressure Range	COM: -30 ~ 100 kPa	COM: -30 ~ 80 kPa
	N.C.: 0 ~ 50 kPa	N.C.: 0 ~ 30 kPa
	N.O.: 0 ~ 50 kPa	N.O.: 0 ~ 50 kPa
Fluid Temperature Range	5 ~ 50 °C	
Ambient Temperature Range	5 ~ 40 °C	
Rated Voltage	12 VDC, 24 VDC	
Power Consumption	2.7 W	
Duty Cycle	Intermittent ED = 50%	
Max. Energizing Time	3 minutes	
Internal Volume	COM: 9.5 μl N.C.: 9.5 μl N.O.: 30.0 μl	
Insulation Class	Class B	
Dielectric Strength	1000 VAC for 60 seconds	
Wetted Materials	Diaphragm: Perfluoroelastomer (Optionally FPM)	
	Stem: PEEK (Optionally PPS)	
	O-ring: Perfluoroelastomer (Optionally FPM)	
	Disc: Perfluoroelastomer (Optionally FPM)	
	Gasket: Perfluoroelastomer (Optionally FPM)	
	Body A: PEEK (Optionally PPS)	
	Body B: PEEK (Optionally PPS)	

• Dimensions



KV-3K-MFG

*2: 6 mm for KV-3K-MFG-1

Note: Specifications etc. may be changed at any time without notice.